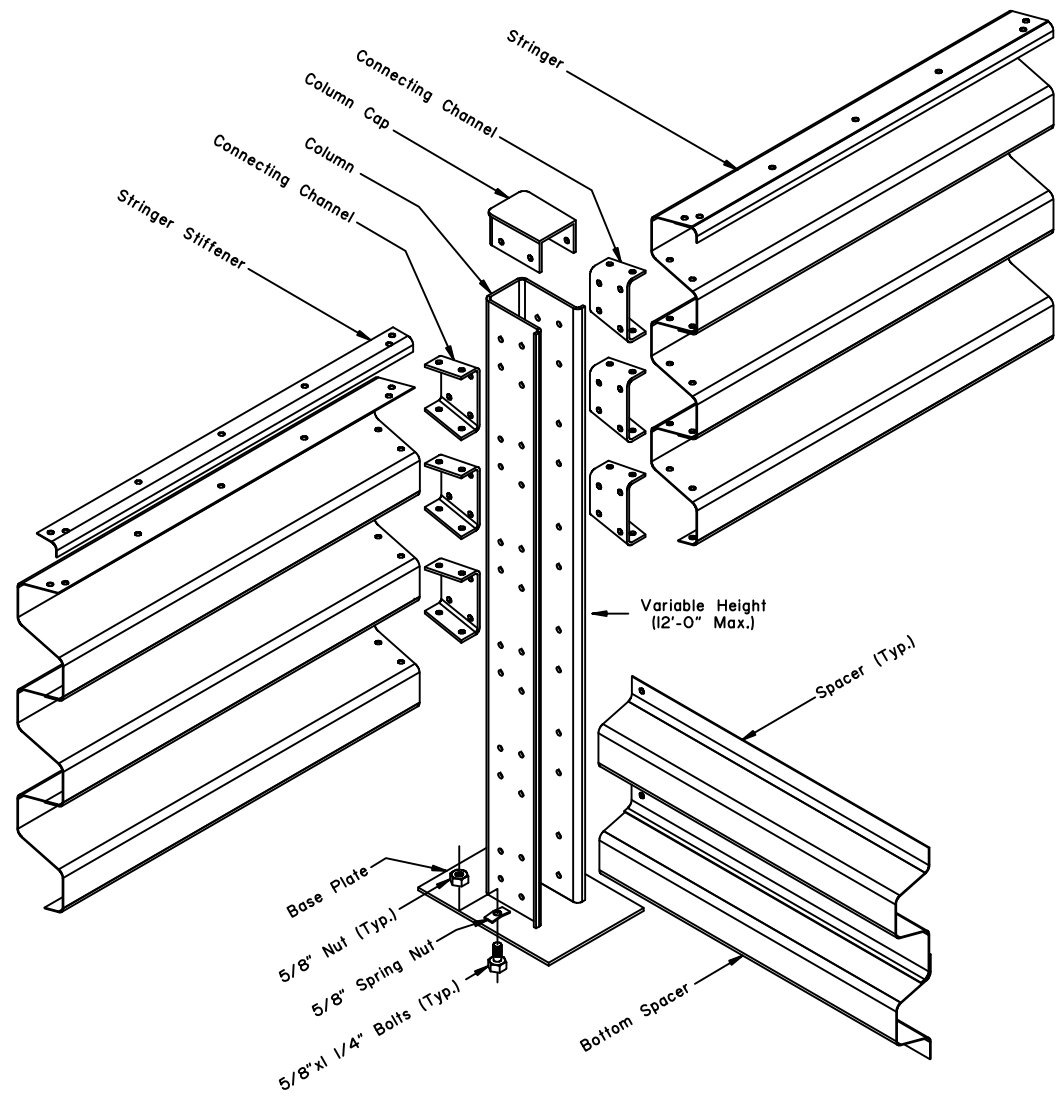
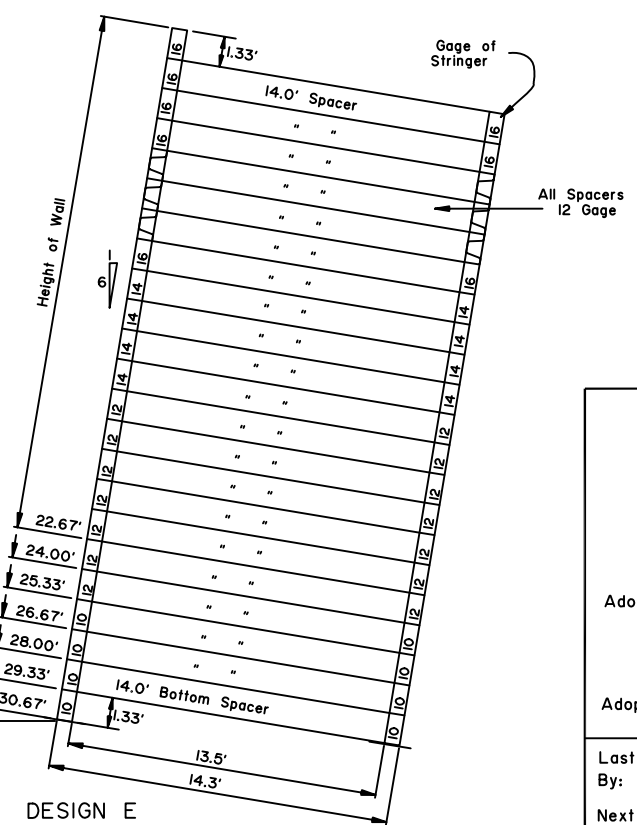
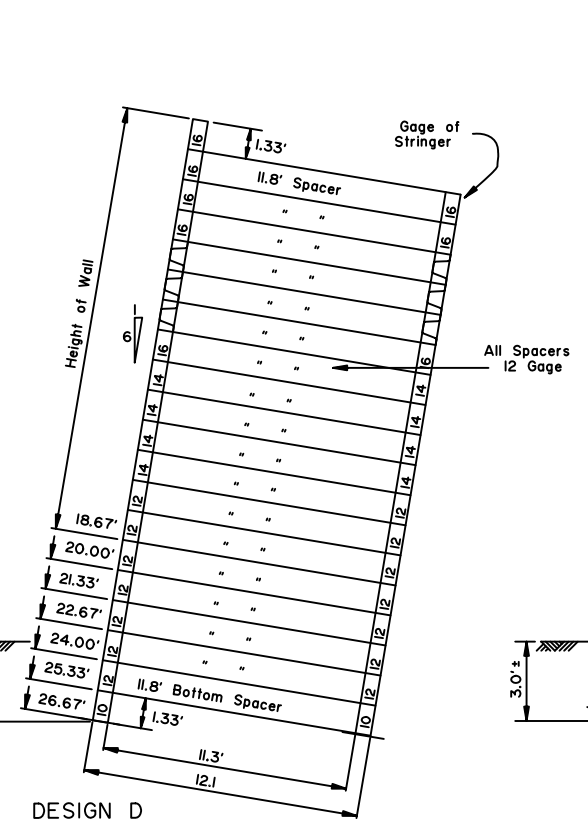
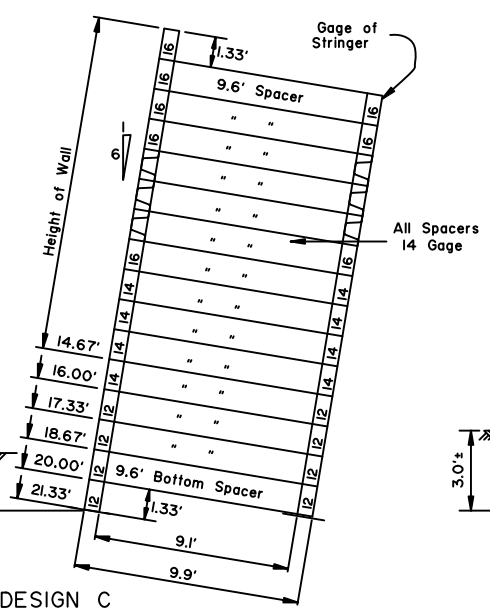
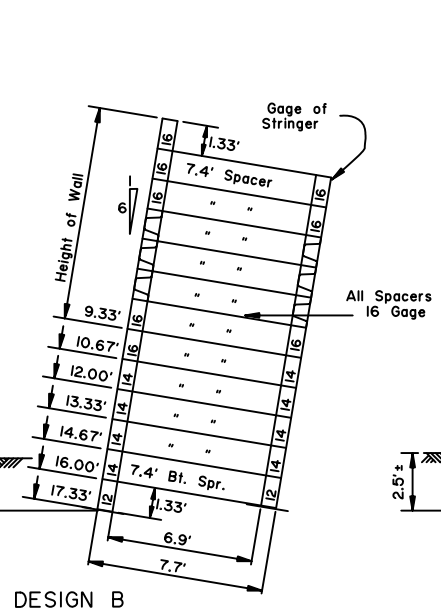
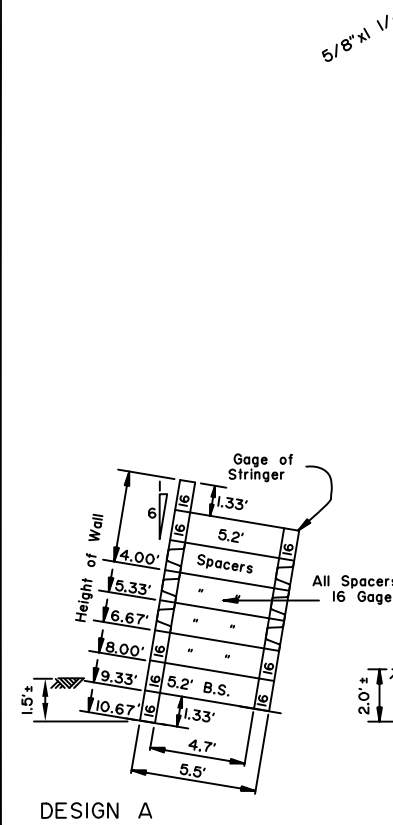
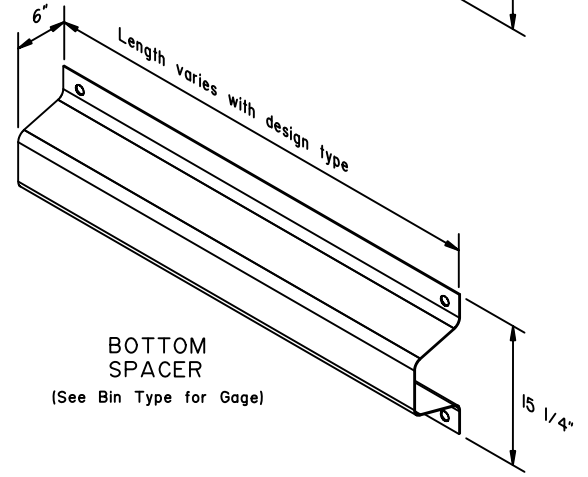
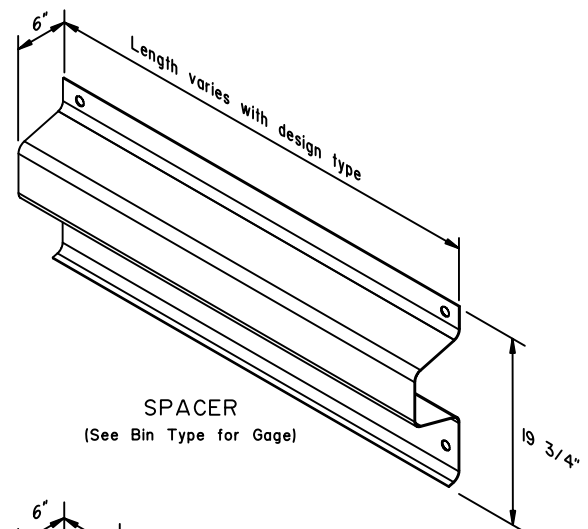
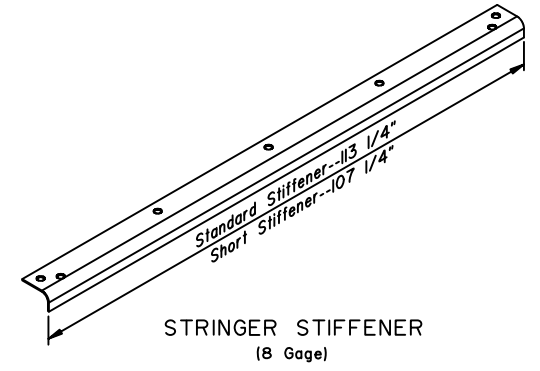
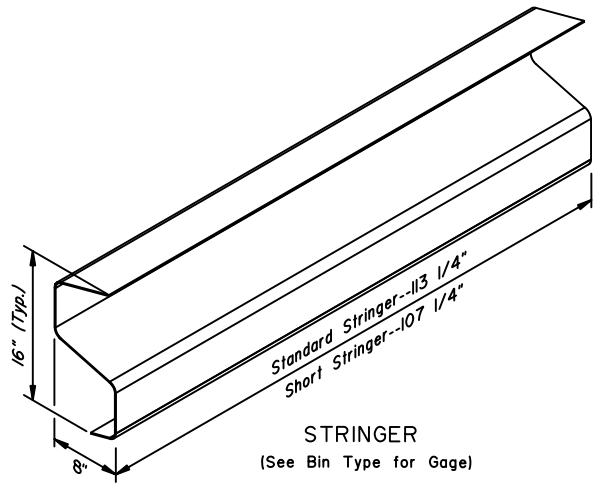


GENERAL NOTES:

1. Units shall be fabricated in accordance with AASHTO M-36 or M-218.
2. Installation procedure shall follow the manufacturers' recommendation for erecting bin walls.



BIN WALL ASSEMBLY DETAILS



State of Alaska DOT&PF
ALASKA STANDARD PLAN

BIN WALLS

Adopted as an Alaska Standard Plan by: *Kenneth J. Fisher*
Kenneth J. Fisher, P.E.
Chief Engineer

Adoption Date: 02/08/2019

Last Code and Stds. Review By: Date:

Next Code and Standards Review date: 02/08/2029