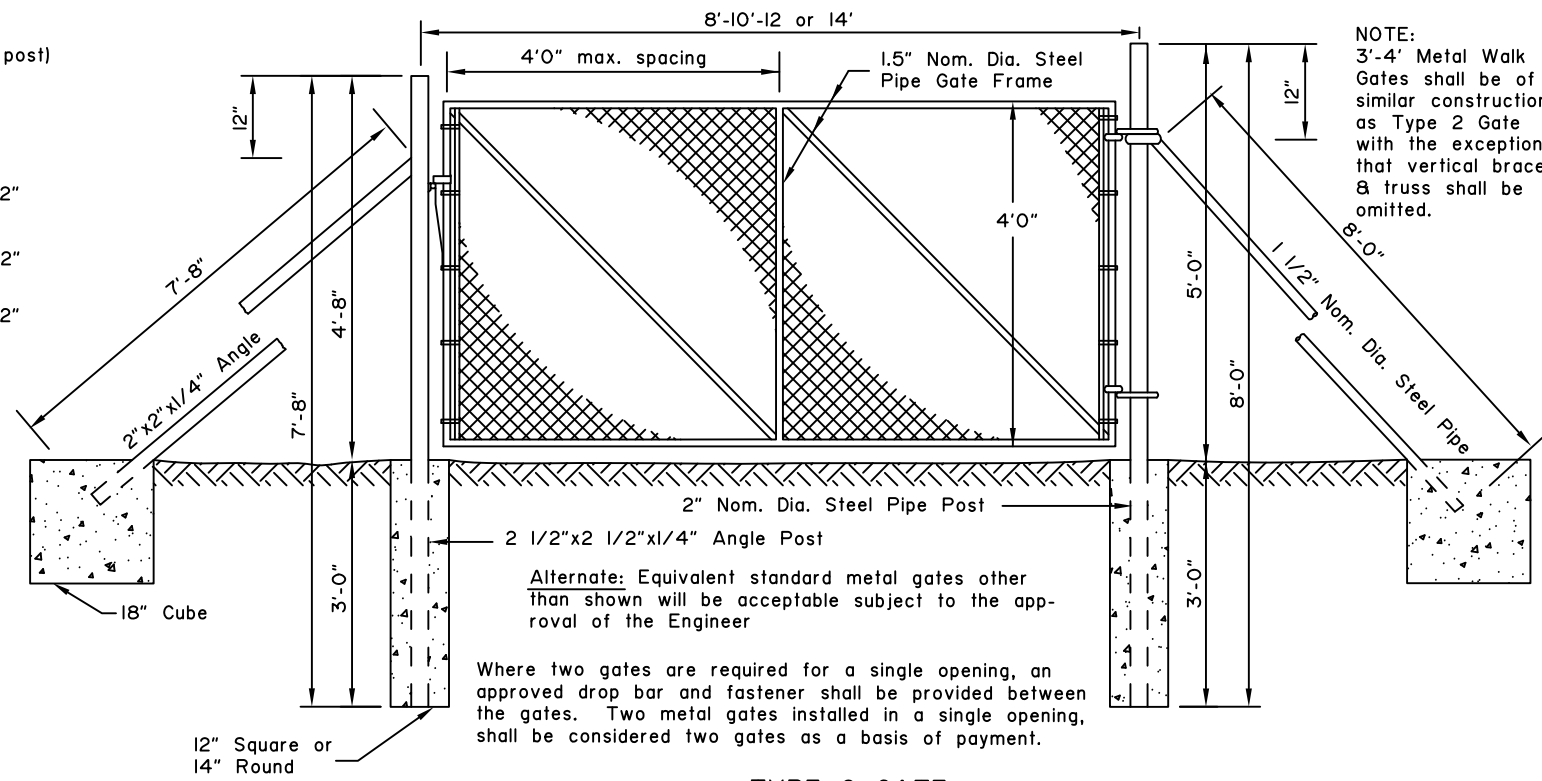


WOVEN WIRE FENCE

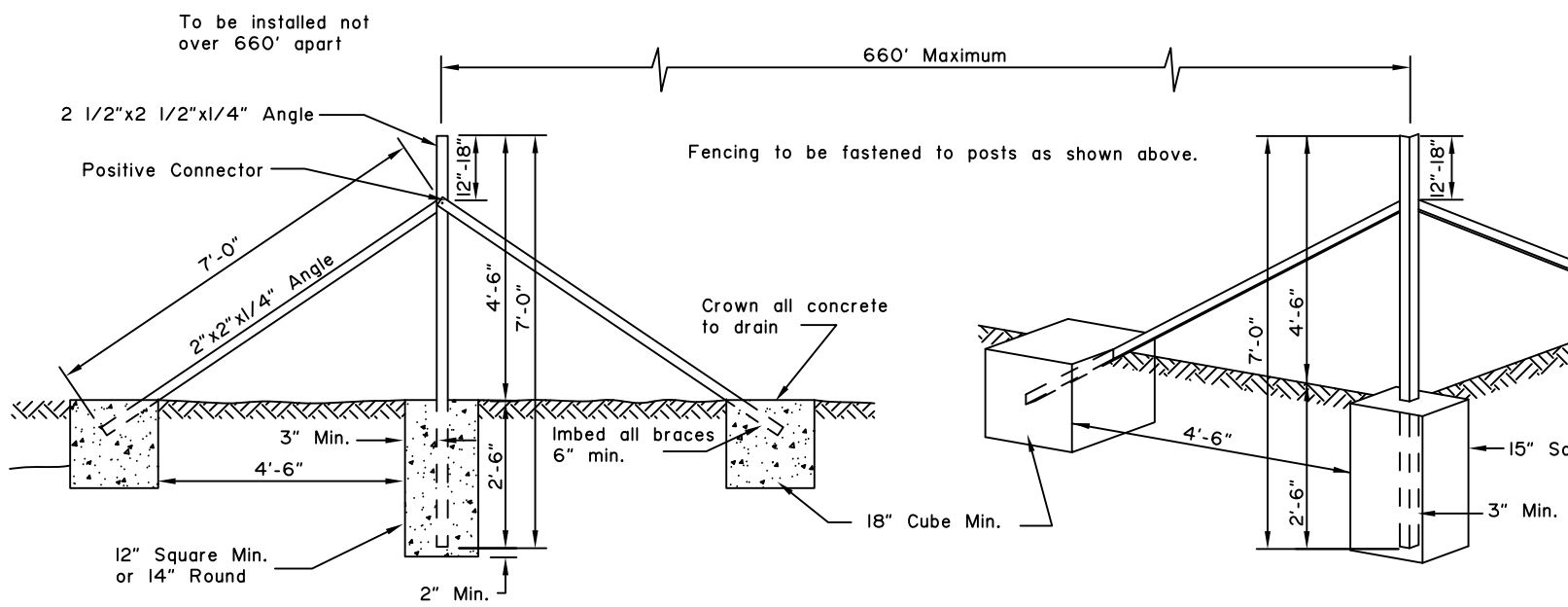


TYPE 2 GATE

NOTE:
3'-4" Metal Walk Gates shall be of similar construction as Type 2 Gate with the exception that vertical brace & truss shall be omitted.

GENERAL NOTES:

- Gates shall be hung on standard angle or steel pipe posts.
- Metal posts shall be angle steel or steel pipe with dimensions as shown and with the following nominal weights per linear foot: 1 1/2" Nom. Dia.-2.72 lbs., 2" Nom. Dia.-3.65 lbs.
- Place fencing and gates where shown on plans.
- Gate shall be manufactured of steel pipe not less than 1" Nom. Dia., (Nom. wt. 1.68 lbs. per linear foot) for frame and vertical brace. Wire mesh shall be 9 gage and affixed to the frame with 9 gage G.I. wire. Each gate shall be equipped with one standard adjustable diagonal truss rod from corner to corner. Hinges and 2-way self closing latch shall be of an approved rustproof malleable iron or steel.
- Woven wire top and bottom strands shall be 9 gage intermediate strands and vertical fillers shall be 11 gage.
- Corner, end and brace posts shall be 2" Nom. Dia. pipe, (Nom. wt. 3.65 lbs per linear foot) or 2 1/2"x2 1/2"x1/4" angle (Nom. wt. 4.1 lbs per linear foot).
- Metal line posts (Nominal wt. 1.33 lbs. per linear foot) shall have knobs, punched web or corrugated edges to hold hold fencing.
- Metal braces shall be 1 1/2" Nom. Dia. pipe (Nom. wt. 2.72 lbs per linear foot) or 2"x2"x1/4" angle (Nom. wt. 3.19 lbs. per linear foot.)
- Wire fencing shall be placed on side of post facing the highway. Special bracing or location may be required when fencing crosses or parallels streams, bodies of water or sags in the fence line.
- Tie wires shall be 10 gage.
- All wire, posts and hardware shall be galvanized. Weights and gages specified are minimums before galvanizing.



METAL LINE BRACE

METAL CORNER BRACE

State of Alaska DOT&PF
ALASKA STANDARD PLAN

WOVEN WIRE FENCE

Adopted as an Alaska Standard Plan by: *Kenneth J. Fisher*
Kenneth J. Fisher, P.E.
Chief Engineer

Adoption Date: 02/08/2019

Last Code and Stds. Review By: Date:

Next Code and Standards Review date: 02/08/2029